

Product data sheet

Specifications

SQUARE D



Switch, manual, 30A, 3 pole, 10 HP at 575 VAC, three phase, toggle operated, red 208/277 VAC indicator, NEMA 1 enclosure

2510KG2B

Product availability: Non-Stock - Not normally stocked in distribution facility

Price*: 232.25 USD

Main

Product	Single Unit Manual Switch
Type	K

Complementary

Current Rating	30 A
Cable Entry	0.5" and 0.75" knock-outs (top and bottom)
Horsepower Rating	2 hp 115 V AC 1 hp 90 V DC 2 hp 115 V DC 1.5 hp 230 V DC 7.5 hp 230 V AC 10 hp 460 V AC 10 hp 575 V AC
Maximum Voltage Rating	600 V AC 230 V DC
Number Of Poles	3P
Control Unit Type	Toggle
Number Of Phases	3 phase
Pilot Light	Red indicator, 208...277 V
Starter Type	Non reversing
Electrical Connection	Screw clamp terminals
Wire Gauge	AWG 14...AWG 10 copper
Height	4.25 in (107.95 mm)
Width	2.44 in (61.98 mm)
Depth	2.75 in (69.85 mm)

Environment

Certifications	UL listed file E42243 CCN NLRV CSA LR25490 class 3211 05
Nema Enclosure Rating	NEMA 1 Plastic standard size

Ordering and shipping details

Category	US10CP121102
Discount Schedule	0CP1

Price is "List Price" and may be subject to a trade discount – check with your local distributor or retailer for actual price.

Gtin	785901554516
Returnability	Yes
Country Of Origin	CA

Packing Units

Unit Type Of Package 1	PCE
Number Of Units In Package 1	1
Package 1 Height	2.60 in (6.604 cm)
Package 1 Width	3.00 in (7.62 cm)
Package 1 Length	4.70 in (11.938 cm)
Package 1 Weight	14.08 oz (399.161 g)

Contractual warranty

Warranty	18 months
-----------------	-----------

Sustainability

Green Premium™ label is Schneider Electric's commitment to delivering products with best-in-class environmental performance. Green Premium promises compliance with the latest regulations, transparency on environmental impacts, as well as circular and low-CO₂ products.

Guide to assessing product sustainability is a white paper that clarifies global eco-label standards and how to interpret environmental declarations.

[Learn more about Green Premium >](#)

[Guide to assess a product's sustainability >](#)

Well-being performance



Pvc Free

Reach Regulation

[REACH Declaration](#)

Eu Rohs Directive

Not compliant

China Rohs Regulation

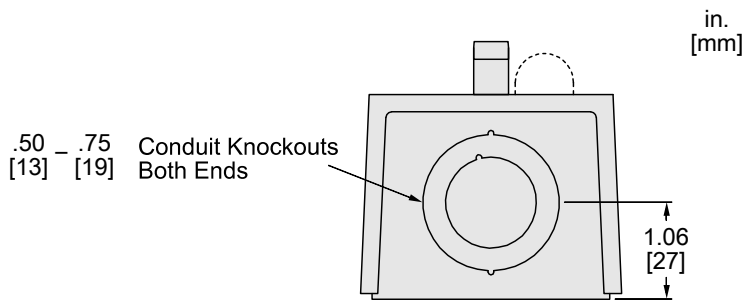
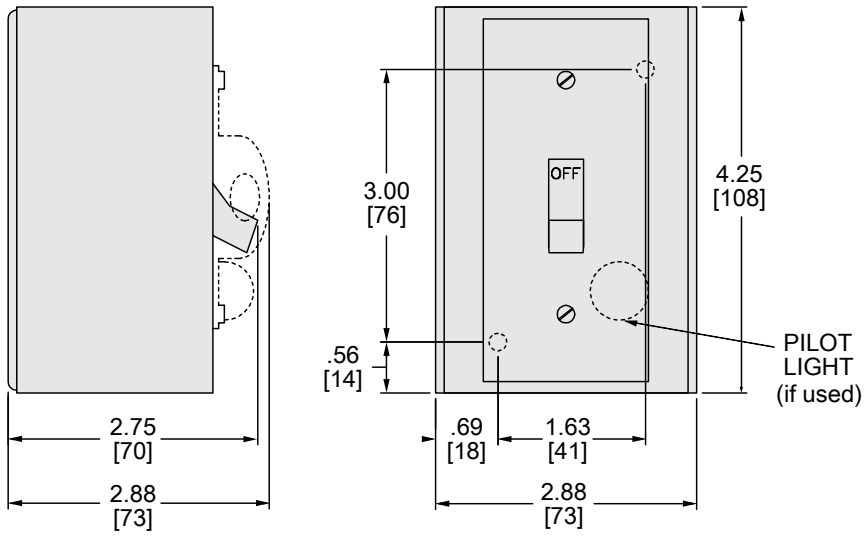
[China RoHS declaration](#)

Product out of China RoHS scope. Substance declaration for your information.

California Proposition 65

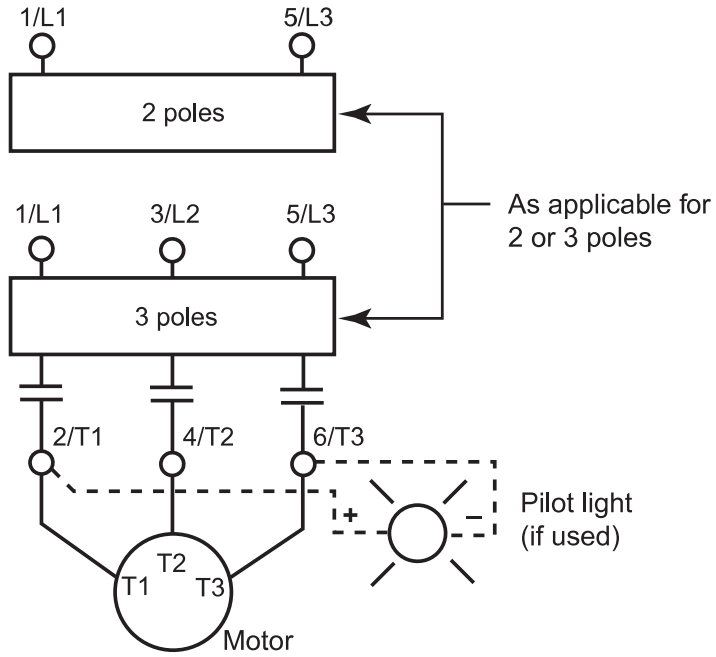
WARNING: This product can expose you to chemicals including: Lead and lead compounds, which is known to the State of California to cause cancer and birth defects or other reproductive harm. For more information go to www.P65Warnings.ca.gov

Dimensions



ALL DIMENSIONS ARE APPROXIMATE.
REFER TO TECHNICAL DRAWINGS AND DOCUMENTATION.

Wiring diagram



NOTE: The lamp is polarity sensitive in DC applications.